

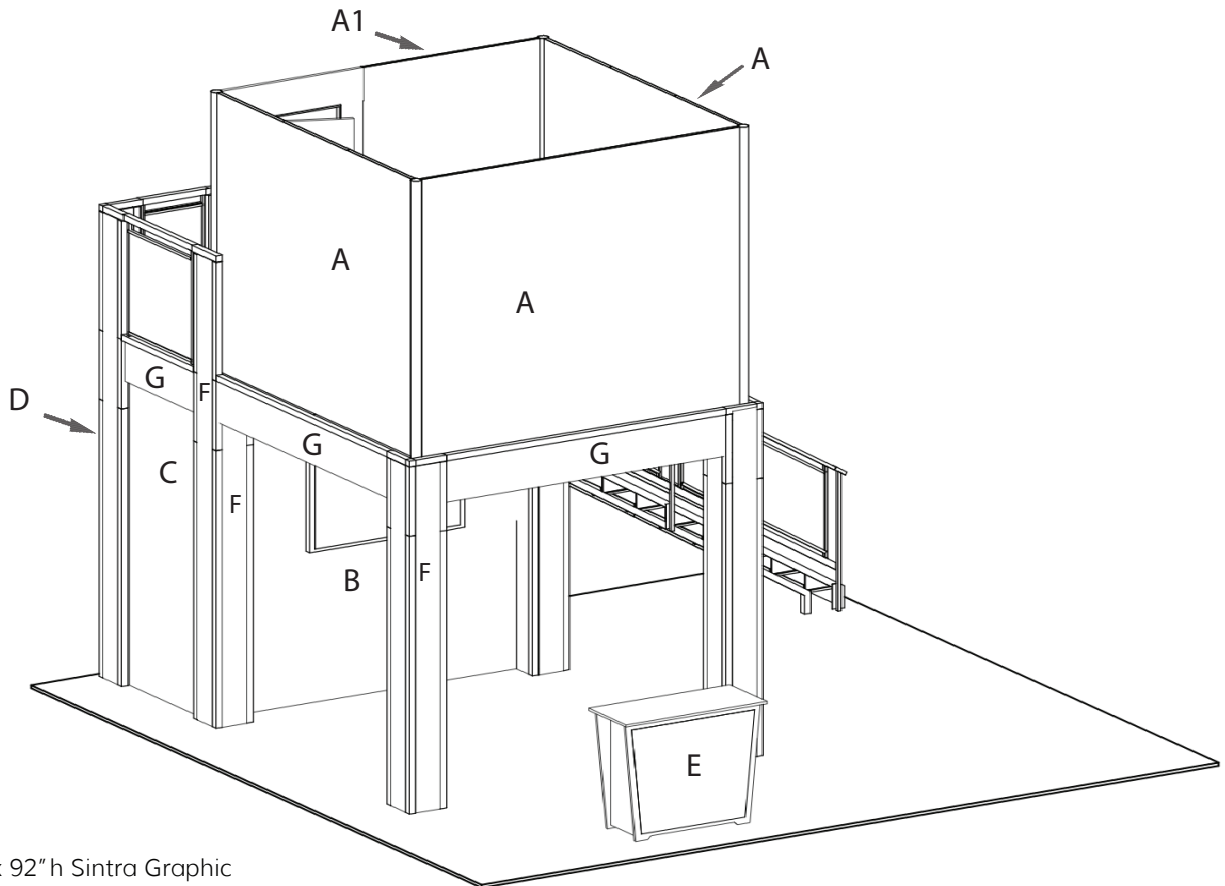
9 x 9 double deck rental kit to include:

- (1) 9'3" x 9'3" second level with landing and straight staircase
- (1) 92" wide backwall with storage closet under landing
- (1) "EV2" locking standalone counter, 46"w x 20"d black laminate top
- (1) locking 9' x 9' conference room upstairs
- (1) gray sintra ceiling with 8 track lights
- (1) 1/4" thick frosted plex rail infills

CHOICE of black, white, or gray sintra provided standard for all solid infill walls that do not have graphics, unless described otherwise

*White laminate standard for EV2 wall counter sides and standalone counter front and sides

Consult your account rep for options. Additional elements, merchandising and graphics are available



GRAPHIC SPECS

- A. - (3) 103.5" w x 92" h Sintra Graphic
- A1. - (1) 57.5" w x 92" h Sintra Graphic
- B. - (1) 91.75" w x 99" h Sintra Graphic (Back Wall)
- C. - (1) 38.5" w x 99" h Sintra Graphic (End Wall)
- D. - (1) 22.5" w x 99" h Sintra Graphic (back panel of closet)
- E. - (1) 40" w x 35" h Counter Graphic
- F. - (36 pieces total) 7-7/8" wide x various height column infill (4 sides per column plus upstairs inside) 3 example pieces notated
- G. - (6 pieces total) various widths x 14" high beam covers) 3 example pieces notated

KIT PACKAGE PRICING DOES NOT INCLUDE chairs, benches, tables, computers, monitors/cables, and carpet. Additional elements, merchandising and graphics are available through your account representative.

Please follow our graphic file submission guidelines for all printed elements to avoid resubmission requests and delay. Allow at least 10 business days for graphic production.



NEW TECHNOLOGY
FIRST IN THE INDUSTRY

NEW TECHNOLOGY
FIRST IN THE INDUSTRY

SUPER UNiX
A UNIVERSAL INSTANT ADHESIVE

SUPER UNiX
A UNIVERSAL INSTANT ADHESIVE

THE ORIGINAL
**SUPER
GLUE**

THE ORIGINAL
**SUPER
GLUE**

THE ORIGINAL
**SUPER
GLUE**

THE ORIGINAL
**SUPER
GLUE**

UNIVERSAL BOND
INSTANT SPEED
XTREME STRENGTH
XTREME SAFETY
NEW TECHNOLOGY

UNiX

**XTREME
POWER**
MATERIALS
**2800
PSI**
INDUSTRY.

THE ORIGINAL
**SUPER
GLUE**
CORPORATION

NEW TECHNOLOGY
FIRST IN THE INDUSTRY

SUPER UNiX

A UNIVERSAL INSTANT ADHESIVE™

THE ORIGINAL
**SUPER
GLUE**

THE ORIGINAL
**SUPER
GLUE**

SUPER UNiX
A UNIVERSAL INSTANT ADHESIVE™

UNIVERSAL BOND
INSTANT SPEED
XTREME STRENGTH
XTREME SAFETY

**XTREME
POWER**
ALL MATERIALS
10 SEC | 2800 PSI

NEW TECHNOLOGY - FIRST IN THE INDUSTRY.

THE ORIGINAL
**SUPER
GLUE**
CORPORATION





NEW TECHNOLOGY
FIRST IN THE INDUSTRY

NEW TECHNOLOGY
FIRST IN THE INDUSTRY

SUPER UNiX
A UNIVERSAL INSTANT ADHESIVE

SUPER UNiX
A UNIVERSAL INSTANT ADHESIVE

THE ORIGINAL
**SUPER
GLUE**

THE ORIGINAL
**SUPER
GLUE**

THE ORIGINAL
**SUPER
GLUE**

SUPER UNiX
A UNIVERSAL INSTANT ADHESIVE

UNIVERSAL BOND
INSTANT SPEED
XTREME STRENGTH
XTREME SAFETY

**XTREME
POWER**
ALL MATERIALS
10 SEC 2800 PSI

NEW TECHNOLOGY. FIRST IN THE INDUSTRY.

THE ORIGINAL
**SUPER
GLUE**



NEW TECHNOLOGY
FIRST IN THE INDUSTRY

SUPER UNiX
A UNIVERSAL INSTANT ADHESIVE

THE ORIGINAL
**SUPER
GLUE**

SUPER UNiX

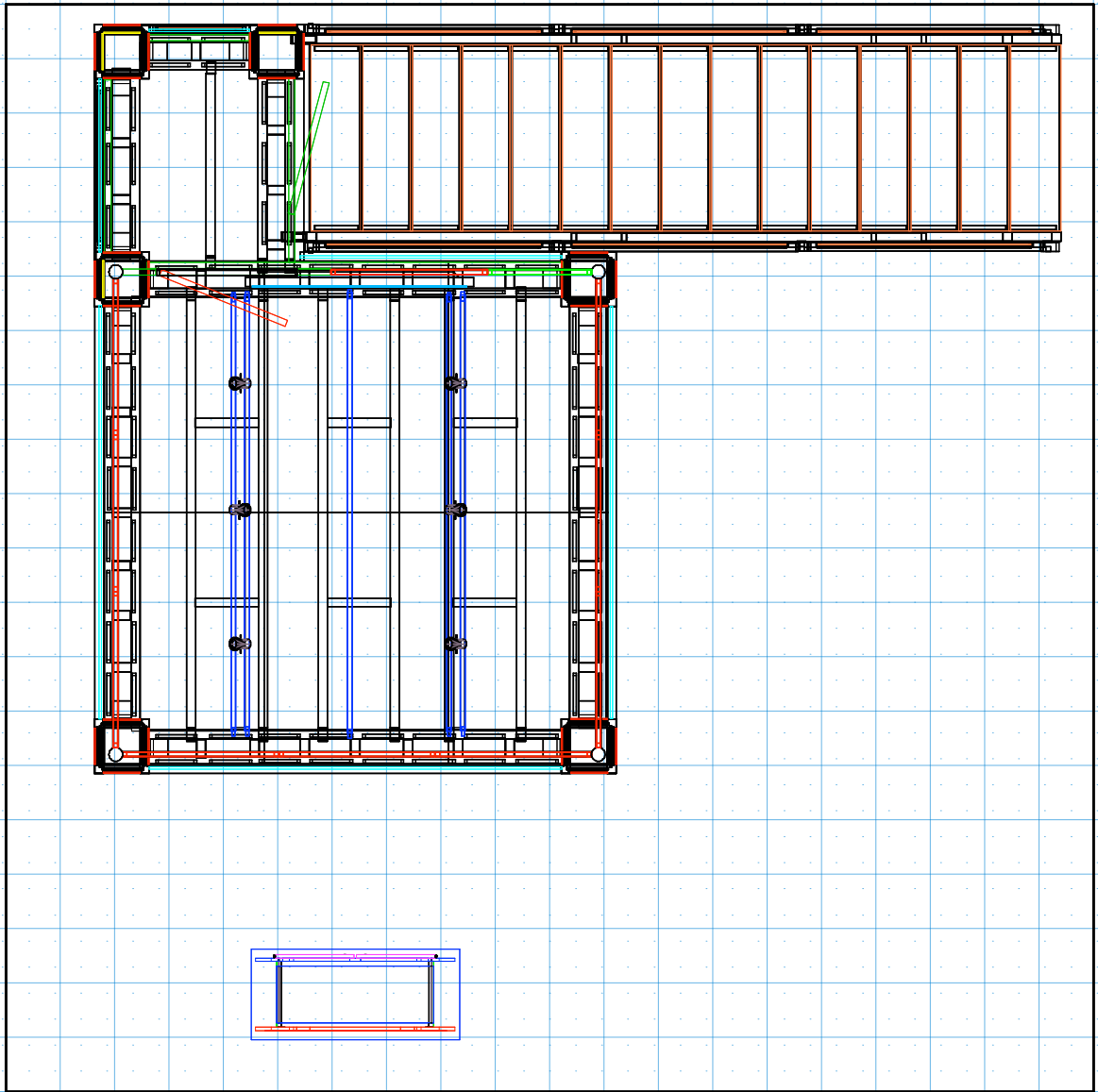


NEW TECHNOLOGY
FIRST IN THE INDUSTRY

SUPER UNiX
A UNIVERSAL INSTANT ADHESIVE
THE ORIGINAL
SUPER
GLUE

SUPER UNiX
A UNIVERSAL INSTANT ADHESIVE

BONDS ALL MATERIALS
SHOCKPROOF
DOORLESS
SUPER UNiX
A UNIVERSAL INSTANT ADHESIVE



DRAWN BY: LH

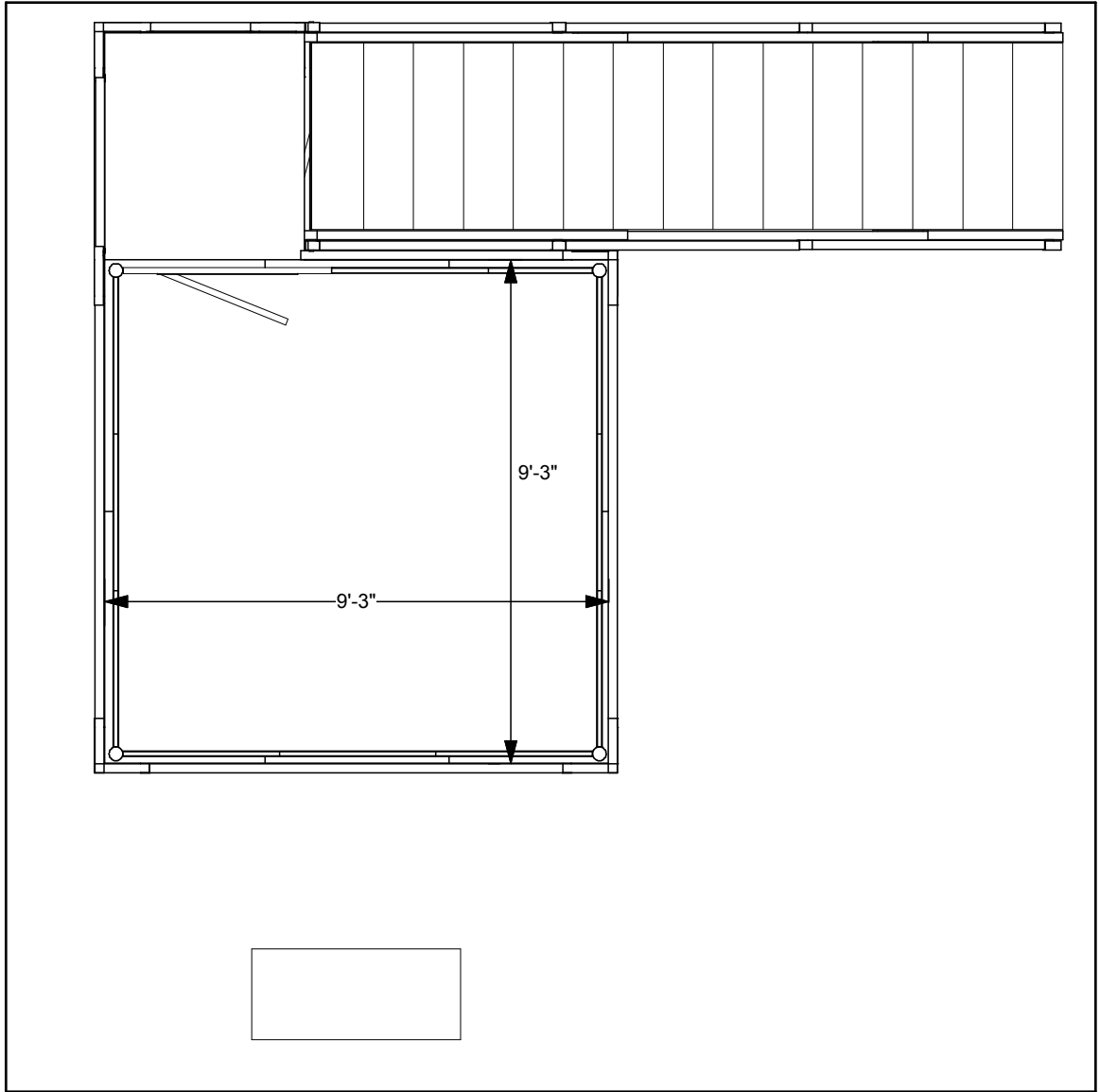
DESIGN : DD99-LSS-WF

DATE: 04/21/20

REFERENCE: 20X20

© 2020

The designs shown herein are protected by copyright and other laws. This document is to be maintained in confidence. No portion of the information or design shown herein may be reproduced, electronically or otherwise, nor may any display be made from this design without written consent.



DRAWN BY: LH

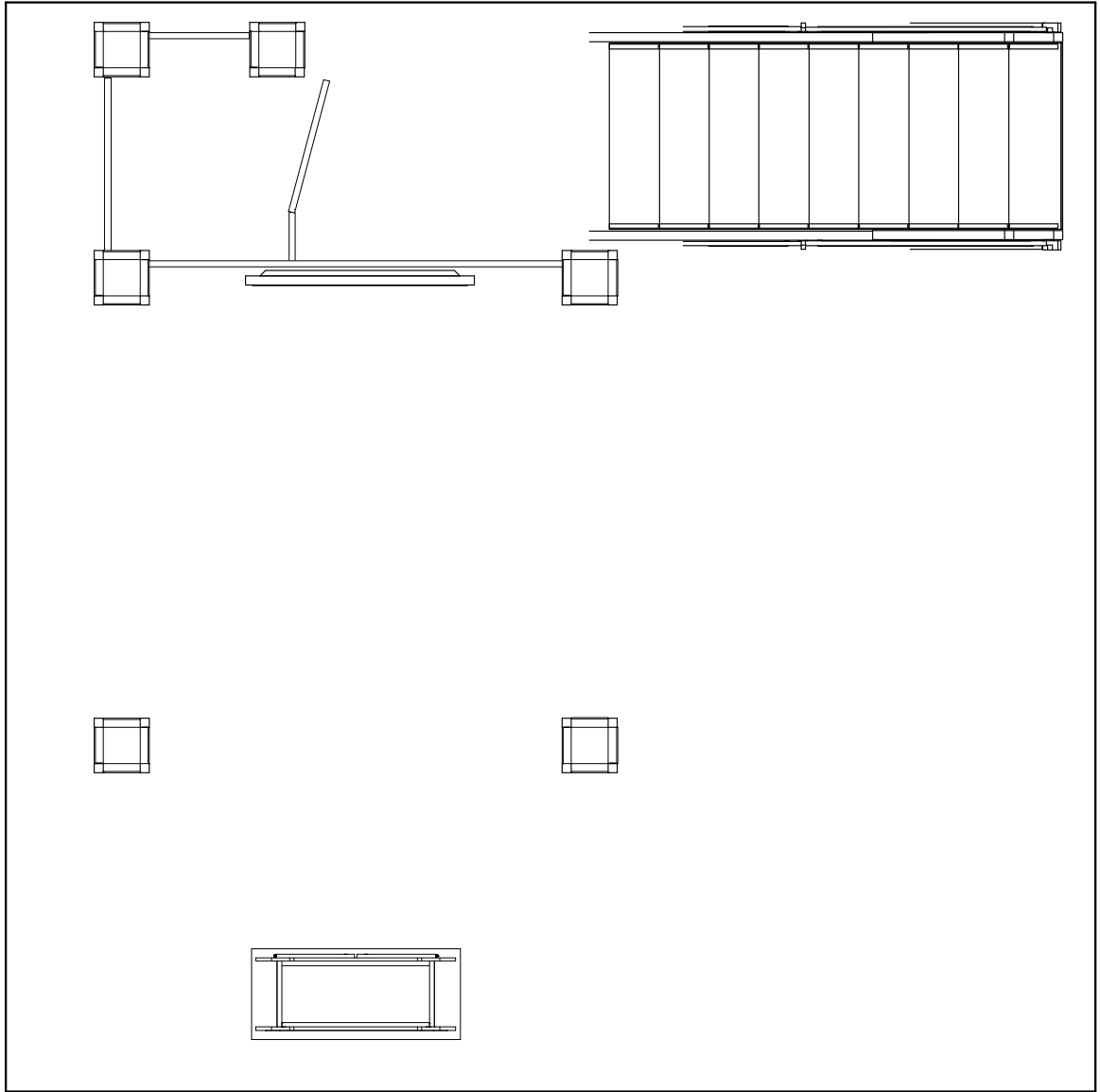
DESIGN : DD99-LSS-WF

DATE: 04/21/20

REFERENCE: 20X20

© 2020

The designs shown herein are protected by copyright and other laws. This document is to be maintained in confidence. No portion of the information or design shown herein may be reproduced, electronically or otherwise, nor may any display be made from this design without written consent.



DRAWN BY: LH

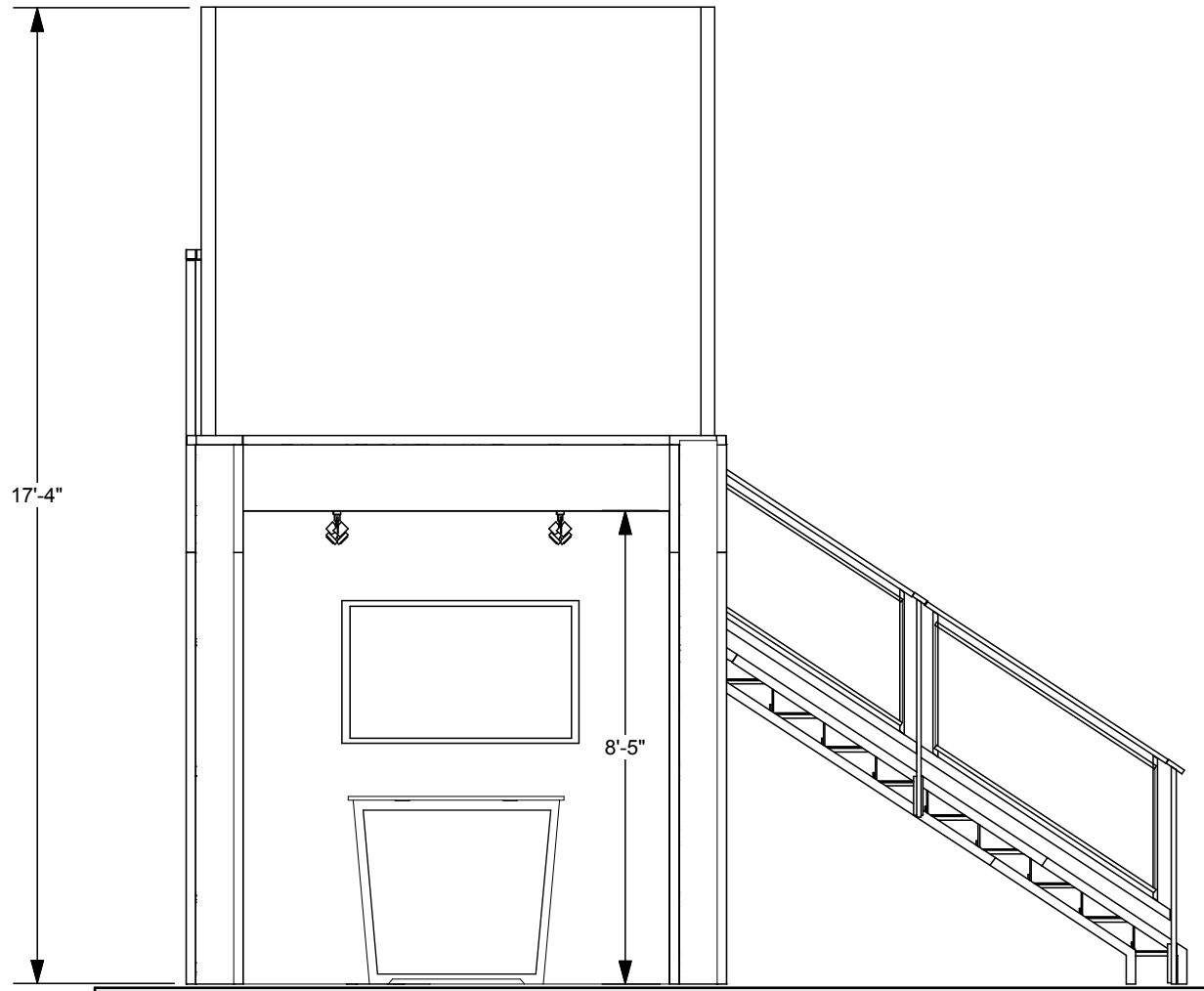
DESIGN : DD99-LSS-WF

DATE: 04/21/20

REFERENCE: 20X20

© 2020

The designs shown herein are protected by copyright and other laws. This document is to be maintained in confidence. No portion of the information or design shown herein may be reproduced, electronically or otherwise, nor may any display be made from this design without written consent.



DRAWN BY: LH

DESIGN : DD99-LSS-WF

DATE: 04/21/20

REFERENCE: 20X20

© 2020

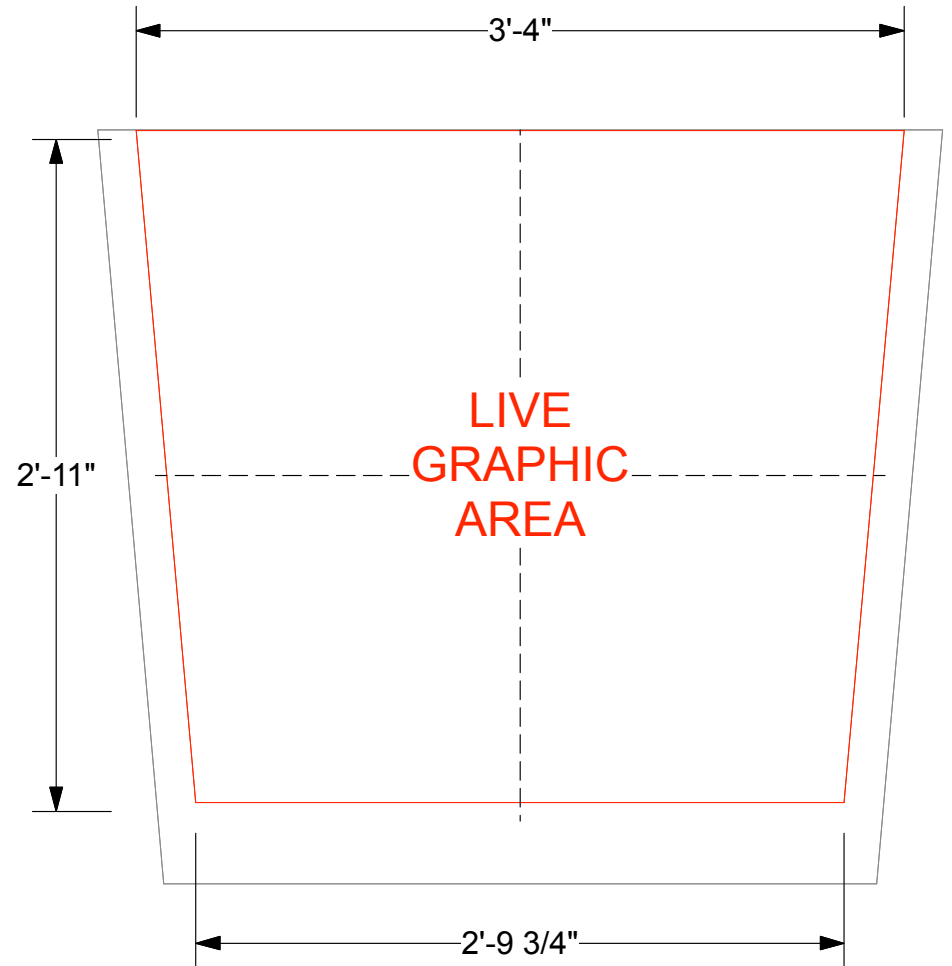
The designs shown herein are protected by copyright and other laws. This document is to be maintained in confidence. No portion of the information or design shown herein may be reproduced, electronically or otherwise, nor may any display be made from this design without written consent.

EV2 STANDALONE COUNTER - STANDARD FRONT GRAPHIC SPECIFICATIONS

Graphic will be created as a low-tac adhesive fabric decal, **for one time use application.**
 Graphics must be reprinted for additional events.

Template shows maximum live graphic size of 40"w (at top) x 35"h.
 Profile cut art may be smaller, and will be centered on counter front.
 Vector cut lines must be provided in supplied art files for profile cut decals.
 White laminate counter front will be visible around decal.

Please provide .5" bleed at all edges in art files.



- COUNTER, 44"w x 39.25"h total dimension of front
- MAXIMUM LIVE GRAPHIC AREA, 40"w x 35"h



DRAWN BY: NG

DESIGN : EV2 Graphic Production Materials

DATE: 8/28/17

REFERENCE: EV2 - STNDLN © Trussworks 2017

The designs shown herein are the proprietary property of Trussworks and protected by copyright and other laws. This document is to be maintained in confidence. No portion of the information or design shown herein may be reproduced, electronically or otherwise, nor may any display be made from this design without written consent from Trussworks.