



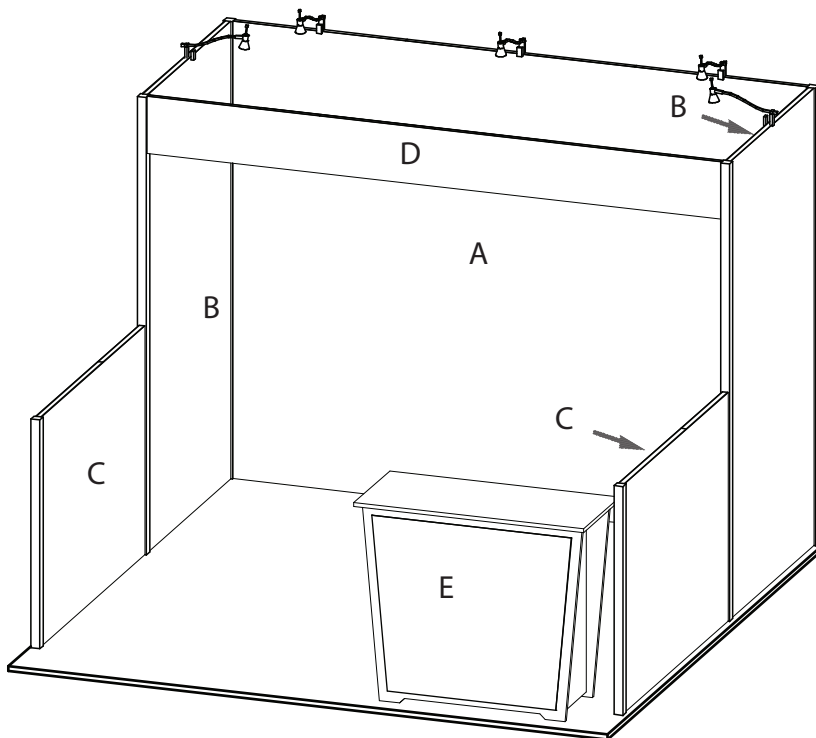
10 x 10 wallframe rental kit to include:

- (1) 115" x 92" high backwall
- (2) 46" x 92" returns
- (2) 57.5" x 46" pony walls (optional - not in base kit)
- (1) 115" x 11.5" header
- (4) clamp on lights
- (1) white "EV2" locking standalone counter, 46"w x 20"d black laminate top

CHOICE of black, white, or gray sintra provided standard for all solid infill walls that do not have graphics, unless described otherwise

*White laminate standard for EV2 wall counter sides and standalone counter front and sides

Consult your account rep for options. Additional elements, merchandising and graphics are available



GRAPHIC SPECS

- A. - (1) 115" w x 92" h Sintra graphic mural
- B. - (2) 46" w x 92" h Sintra Graphic panel
- C. - (2) 57.5" w x 46" h Sintra Graphic panel
- D. - (1) 115" w x 11.5" h Sintra Graphic mural
- E. - (1) 40" w x 35" h Profile cut Sintra Counter Graphic

KIT PACKAGE PRICING DOES NOT INCLUDE chairs, benches, tables, computers, monitors/cables, and carpet. Additional elements, merchandising and graphics are available through your account representative.

Please follow our graphic file submission guidelines for all printed elements to avoid resubmission requests and delay. Allow at least 10 business days for graphic production.

personetics®

SELF DRIVING FINANCE

usbank Santander BMO SYNOVUS ally WELLS FARGO TRUIST Citizens Bank®

Data Enrichment

Actionable Insights

Financial Wellness Journeys



Budgeting & Goals

Auto Savings & Investments

SELF-DRIVING FINANCE
Guide your customer through their financial journey with personalized insights, advice, and automated money management.

DATA - What happened?
ADVICE - What should I do?
ROBOT - What's next?
AUTOMATION - Do it for me!

personetics®

SELF DRIVING FINANCE



Financial Data-Driven Engagement Platform

personetics[®]
SELF DRIVING FINANCE

Data Enrichment

Budgeting & Goals

Auto Savings & Investments

Financial Wellness Insights

My Insights

High Payment

My Money Management

My Cashflow

My Spending

My Money Outlook

My Goals

My Subscriptions

Use the 50:30:20 Budget Rule

DATA - What happened?

INSIGHT - What's important?

ADVICE - What should I do?

AUTOMATION - Do it for me!

personetics[®]
SELF DRIVING FINANCE

personetics®

SELF DRIVING FINANCE

usbank Santander BNC Huntington Union Savings Bank
BMO SYNOVUS ally WELLS FARGO TRUIST Citizens Bank®

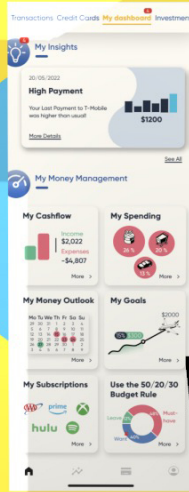
Data Enrichment

Budgeting & Goals

Actionable Insights

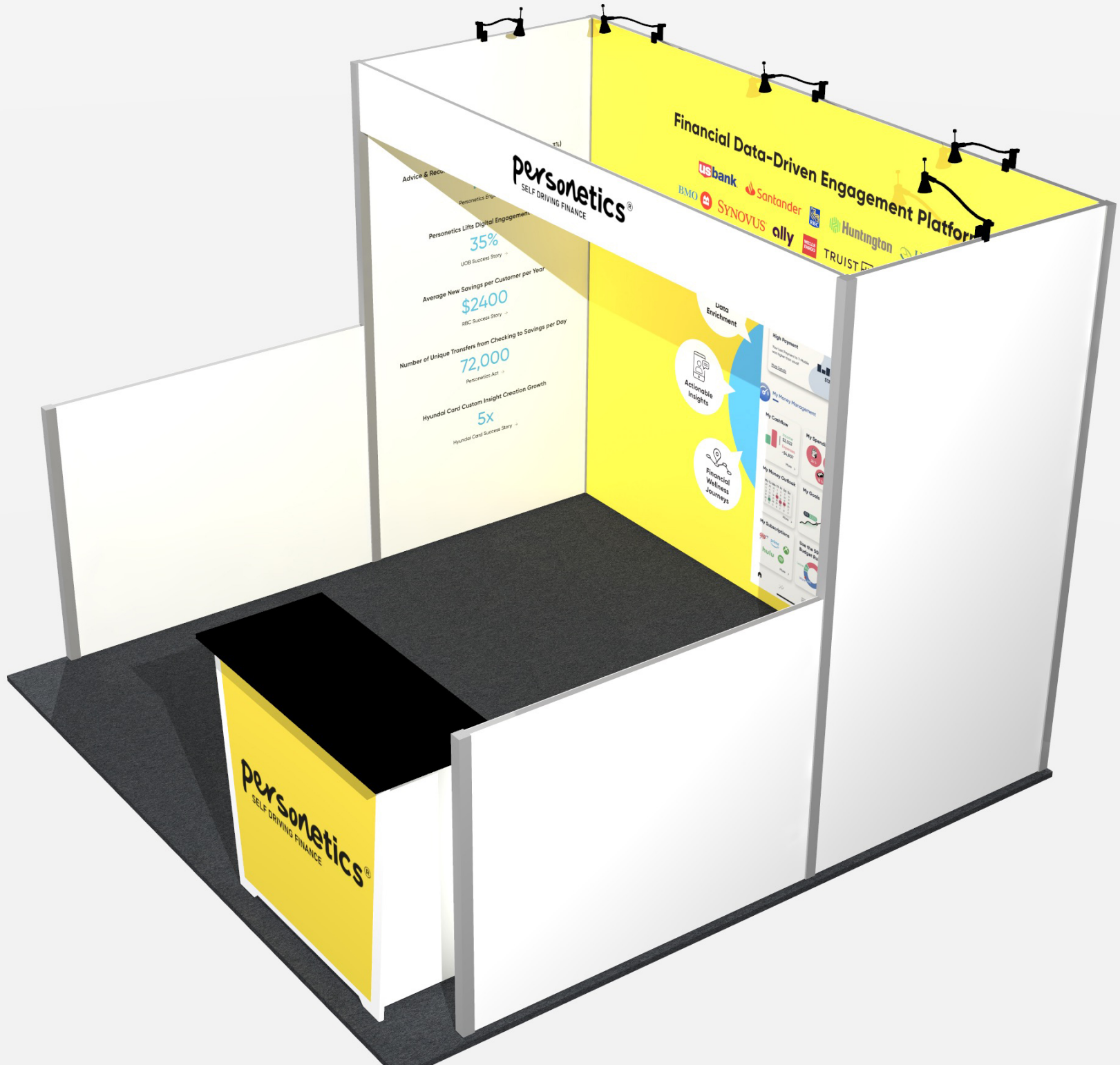
Auto Savings & Investments

Financial Wellness Journeys



personetics®

SELF DRIVING FINANCE



personetics[®]
SELF DRIVING FINANCE

Financial Data-Driven Engagement Platform

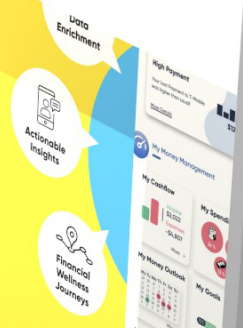
usbank BMO SYNOVUS Santander ally Huntington TRUIST

Advice & Rec...
Personetics Eng...
Personetics Lifts Digital Engagement
35%
UCB Success Story →

Average New Savings per Customer per Year
\$2400
BAC Success Story →

Number of Unique Transfers from Checking to Savings per Day
72,000
Personetics Act →

Hyundai Card Custom Insight Creation Growth
5x
Hyundai Card Success Story →



High Payment

My Money Management

My Cardflow

My Spend

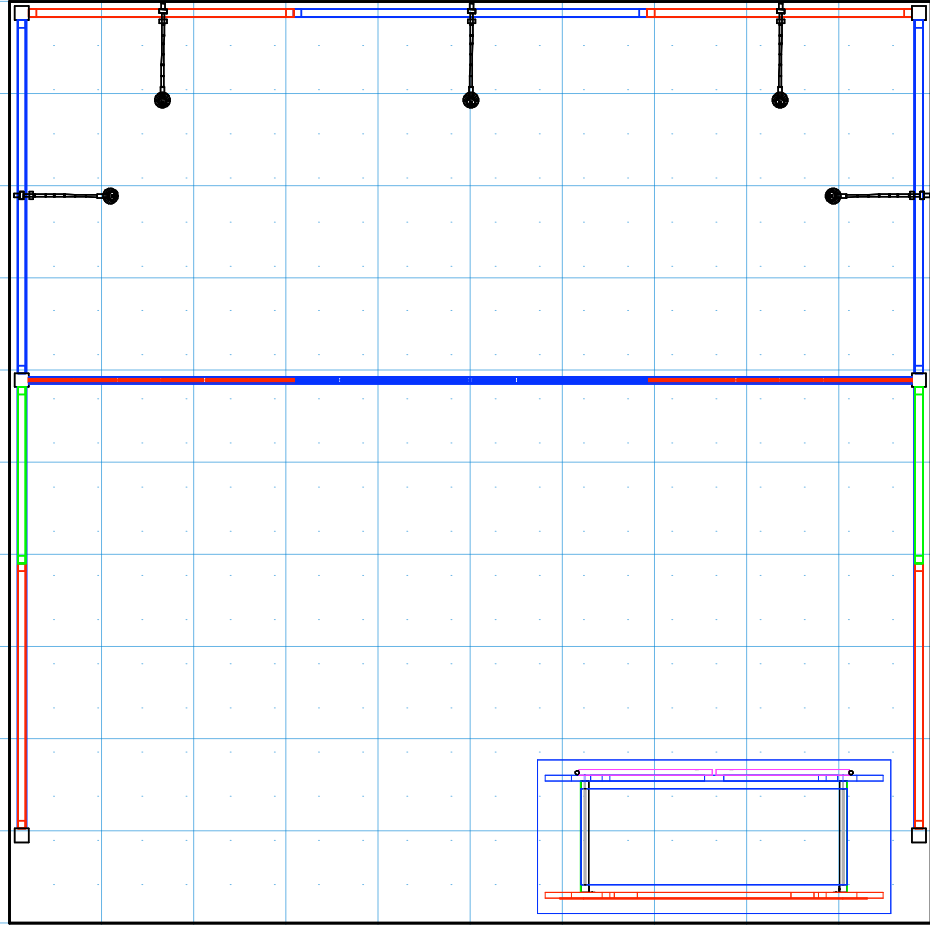
My Money Outlook

My Goals

My Subscriptions

Use My QR

personetics[®]
SELF DRIVING FINANCE



DRAWN BY: LH

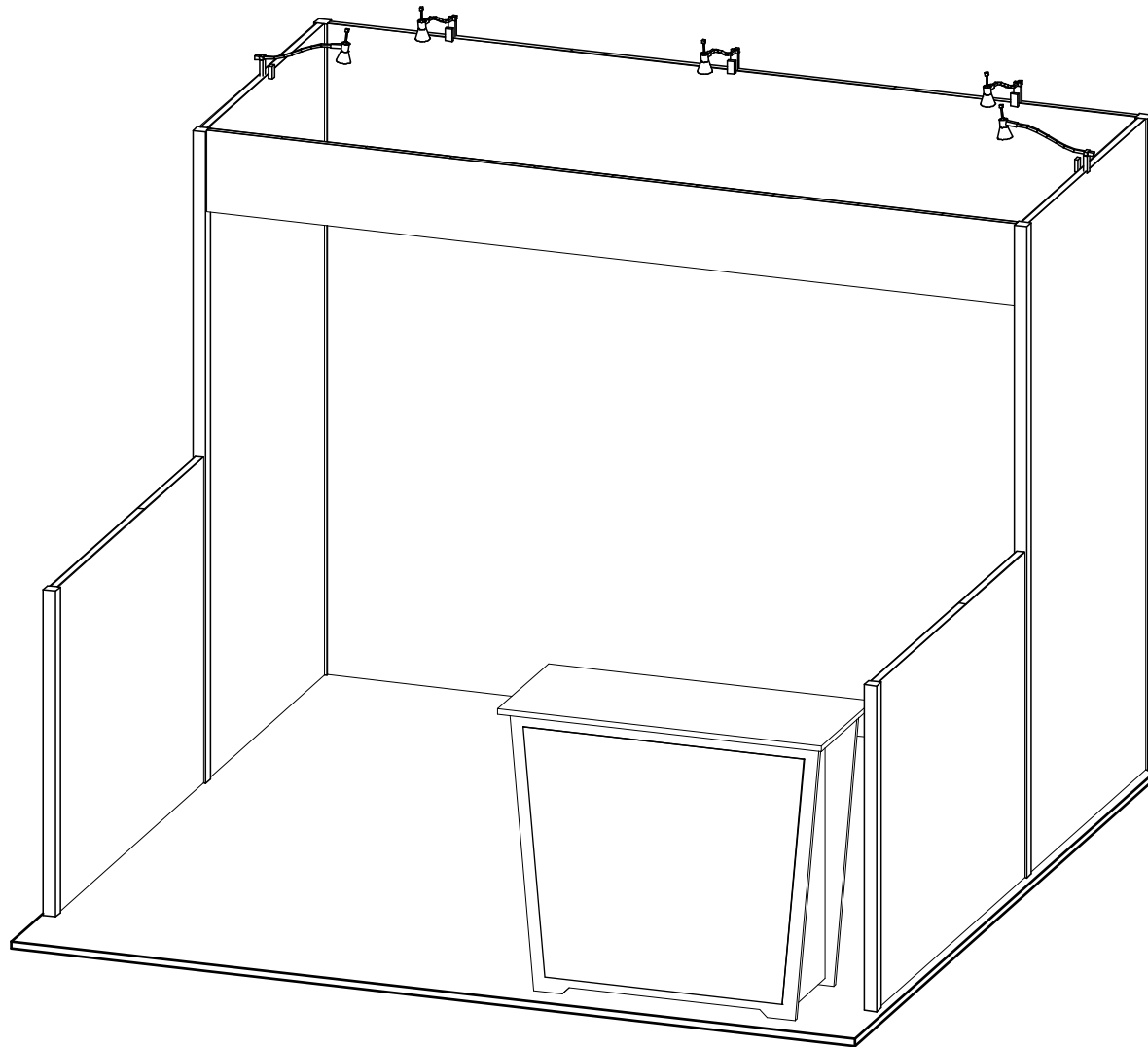
DESIGN : EV2-MM71.1

DATE: 12/15/22

REFERENCE: 10x10

© 2022

The designs shown herein are protected by copyright and other laws. This document is to be maintained in confidence. No portion of the information or design shown herein may be reproduced, electronically or otherwise, nor may any display be made from this design without written consent.



DRAWN BY: LH

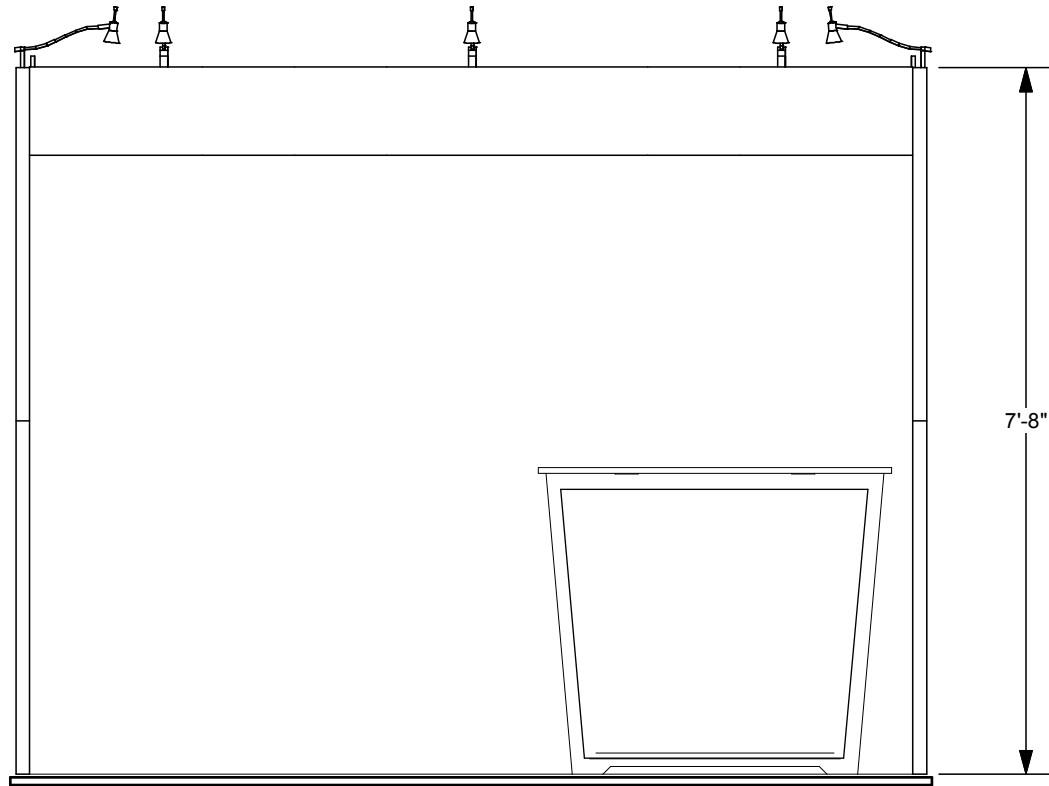
DESIGN : EV2-MM71.1

DATE: 12/15/22

REFERENCE: 10x10

© 2022

The designs shown herein are protected by copyright and other laws. This document is to be maintained in confidence. No portion of the information or design shown herein may be reproduced, electronically or otherwise, nor may any display be made from this design without written consent.



DRAWN BY: LH

DESIGN : EV2-MM71.1

DATE: 12/15/22

REFERENCE: 10x10

© 2022

The designs shown herein are protected by copyright and other laws. This document is to be maintained in confidence. No portion of the information or design shown herein may be reproduced, electronically or otherwise, nor may any display be made from this design without written consent.